



MAGAZINE



CB-A-1.1

This product is made by Deutsche Wurlitzer GmbH, Stemwede-Levern, Germany



Magazine Vending Machine MV6



Technical details

selections and capacity

- Max. number of selections: 6
- Stacking height: 4 selections with 160mm each
+ 2 selections with 230mm each
- Stacking height adjustable in steps of 75mm
- Possibility to vend magazines along with newspapers

Magazine / newspaper formats

- Max. size 310 x 415mm
Min. size 210 x 300mm
Max. thickness 10mm
- Possibility to vend newspapers as well

Coin insertion

- Up to 16 different coins
- Individual price setting for each product
- Illuminated alphanumeric display in two lines

Features

- Programmable microprocessor control unit with data storage, test and service programs
- Slide-out assembly with control unit and coin system for easy maintenance
- Easy exchange of price labels and actual newspapers in the showcase and inside the machine
- Illuminated showcase
- Illuminated delivery compartment
- Powder coated steel cabinet
- Standard colour RAL 3020 (traffic red)
- Stainless steel control panel
- Clear, strong metal keyboard with integrated return button for motor driven coin return
- Vend light gate



Optional

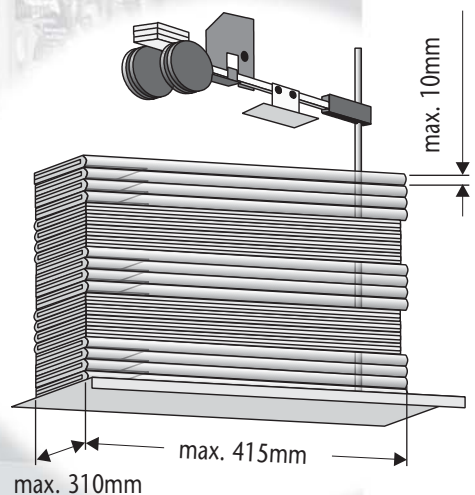
- Bank note acceptor
- Cash or credit card systems
- Receipt printer
- Security coin insertion
- Illuminated advertising header
- Removable foot panels
- Special RAL colours available

Power supply

- 230volts
- Extra-low voltage supply for internal functions

Dimensions

- Height 183.0cm
- Width 85.5cm
- Depth 85.0cm
- Weight 246kg



GERMANY
Deutsche Wurlitzer GmbH
Niederdorf 5
D-32351 Stemwede-Levern
Tel.: +49 (0)5745 28-0
Fax: +49 (0)5745 28220
www.deutsche-wurlitzer.de
contact@deutsche-wurlitzer.de

GREAT BRITAIN
Deutsche Wurlitzer UK
13 Moorbrook
Southmead Industrial Estate
Didcot, Oxfordshire, OX11 7HP
Tel.: +44 (0)1235 813400
Fax: +44 (0)1235 811109
www.deutsche-wurlitzer-uk.com
info@deutsche-wurlitzer-uk.com

USA
Deutsche Wurlitzer USA Inc.
1341 Estes Street
Gurnee, Illinois 60031
Tel.: +1 847 662 1700
Fax: +1 847 662 1212
www.dw-usa.net
info@dw-usa.net